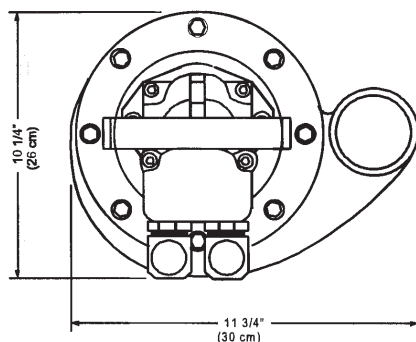
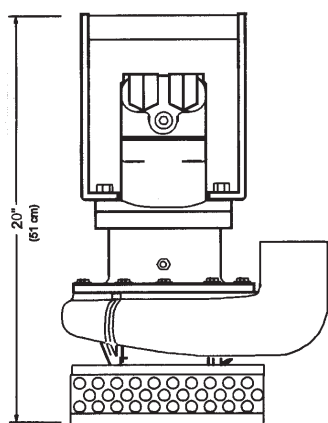


DEWATERING HYDRAFLOW DATA SHEET

S3CHL 50MM HYDRAULIC SUBMERSIBLE PUMP

The SPP HYDRAFLOW S3CHL Hydraulic Drive Submersible Pump is a compact high performance pump suitable for high pressure applications. These may include portable fire fighting, mine dewatering, deepwell dewatering barge and ship tank stripping, irrigation, piling and dock jetting and many other high head applications.

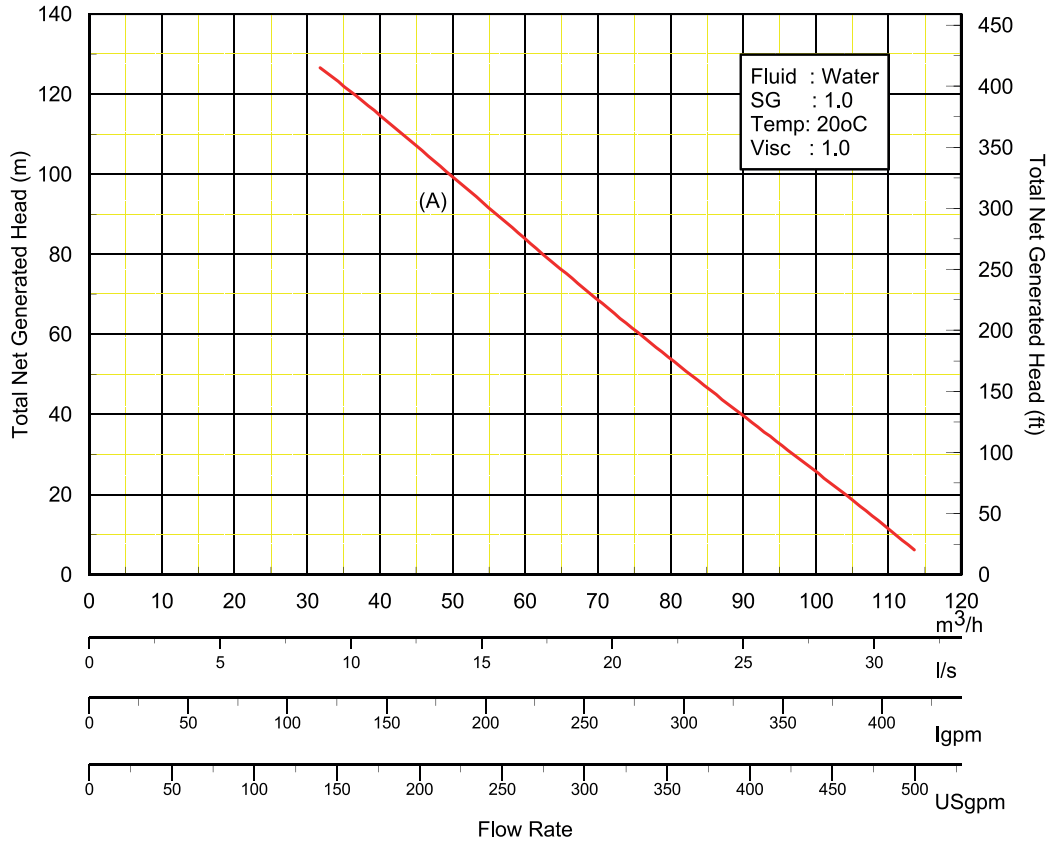


DESIGN FEATURES

- Compact, powerful pump for high head applications.
- Can be supplied with a Stainless Steel Casing.
- Will pass through a 300mm opening or deepwell casing.
- Variable Speed Hydraulic Drive.
- Oil Lubricated Mechanical Seal for reliability and longer life.
- Can be bolted into a pipeline to be used as a booster pump.
- Safe Hydraulic Drive can be used where electric power is hazardous or impractical.
- Operates with our HT75D Hydraulic Power Unit or any open centre power source with output flows to 114 l/m.

DEWATERING

HYDRAFLOW DATA SHEET



Hydraulic Input: (A) 114 l/m m³/h @ 206 bar
Typical performance with HT75D

HYDRAULIC SUBMERSIBLE PUMP

PUMP TYPE	S3CHL
BRANCH SIZES	Suction: 75mm x Disch: 50mm
IMPELLER	Centrifugal
SOLIDS HANDLING	9.5 mm diameter
HYDRAULIC MOTOR	Gear
INPUT - HYDRAULIC FLOW	114 l/m
INPUT - HYDRAULIC PRESSURE	206 bar
HYDRAULIC OIL	ISO 46
HYDRAULIC OIL TEMPERATURE	Max 140°F

PUMP SPECIFICATIONS

FLOW RATE

114 m³/h Maximum

DISCHARGE HEAD

125 m Maximum

WEIGHT

40 kg

HEIGHT

508 mm

MAX DIAMETER

300 mm

MAX SOLIDS SIZE

9.5 mm Diameter

HOSE PORT

3/4" NPT F

SUCTION FLANGE

3" 150lb Flange

DISCHARGE PORT

2" NPT F

POWER SOURCE

HT75D

PUMP CASING

Ductile Iron /Stainless Steel

IMPELLER

Bronze

WEAR RING &/OR PLATE

Bronze

SHAFT

Stainless Steel

SHAFT SEAL - STANDARD

Carbon/Ceramic

ALTERNATIVE SEAL

Silicon Carbide

ELASTOMERS - STANDARD

Buna (N)

HYDRAULIC OIL

SAE10W or 20W type AW

INPUT FLOW

114 l/m Maximum

OPERATING PRESSURE

206 bar Maximum