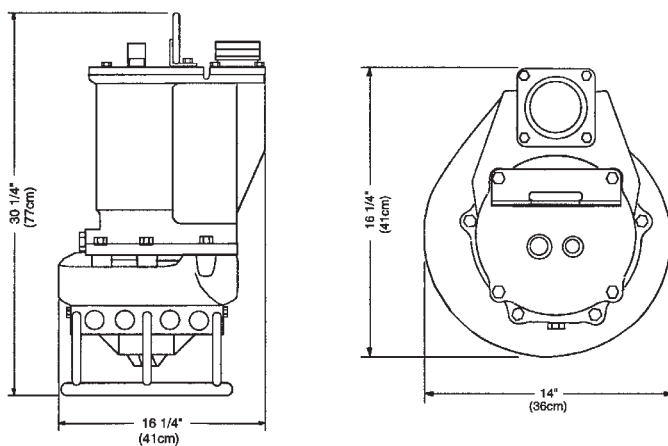


DEWATERING HYDRAFLOW DATA SHEET

S3CSL 75MM HYDRAULIC SUBMERSIBLE SAND OR SLURRY PUMP

The SPP HYDRAFLOW S3CSL Hydraulic Drive Submersible Pump is designed for use in applications requiring settled solids to be put into suspension and pumped with discharge water. Primary applications include desilting ponds, lakes and streams. Other jobs may include filling sand bags to prevent beach erosion, tank and digester cleaning or pumping residue from rail tank cars or barges.

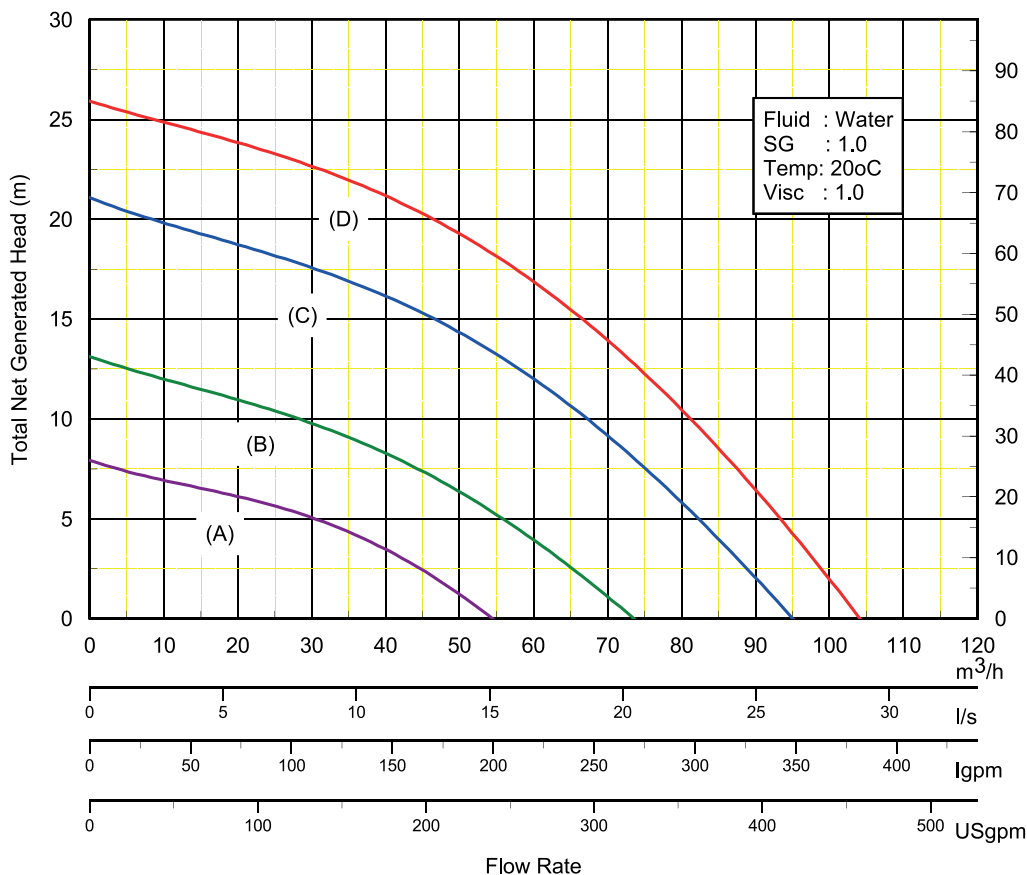


DESIGN FEATURES

- Hardened Alloy Wear Parts.
- Built-in Agitator for Stirring up Solids.
- Variable Speed Hydraulic Drive.
- Small Size Allows Pumps to fit through a 420mm opening.
- Oil Lubricated Double Seals - pump can run dry.
- Wide Range Performance Curve allows use of Hydraulic Flows up to 38 l/m to Suit Application.
- Safe Hydraulic Drive can be used where electric power is hazardous or impractical.
- Operates with our HT11D, HT25D, HT35D or HSQ35D Hydraulic Power Units or any open centre power source with output flows to 38 l/m.

DEWATERING

HYDRAFLOW DATA SHEET



Hydraulic Input: (A) 19 l/m @ 69 bar (B) * 26 l/m @ 110 bar
(C) 34 l/m @ 165 bar (D) 38 l/m @ 193 bar
* Typical performance with HT11D

HYDRAULIC SUBMERSIBLE PUMP

PUMP TYPE	S3CSL
BRANCH SIZES	Suction: 75mm x Disch: 75mm
IMPELLER	Channel & Agitator
SOLIDS HANDLING	38 mm diameter
HYDRAULIC MOTOR	Gear
INPUT - HYDRAULIC FLOW	38 l/m
INPUT - HYDRAULIC PRESSURE	193 bar (max)
HYDRAULIC OIL	ISO 46
HYDRAULIC OIL TEMPERATURE	Max 140°F

PUMP SPECIFICATIONS

FLOW RATE	104 m³/h Maximum
DISCHARGE HEAD	26 m Maximum
WEIGHT	105 kg
HEIGHT	770 mm
MAX DIAMETER	410 mm
MAX SOLIDS SIZE	38 mm Diameter
HOSE PORT	1/2" & 3/4" NPT F
SUCTION FLANGE	3" Entry
DISCHARGE PORT	3" NPT F
POWER SOURCE	HT11D, HT25D, HT35D or HSQ35D
PUMP CASING	Cast Iron
IMPELLER	High Chrome Alloy
WEAR RING &/OR PLATE	High Chrome Alloy
SHAFT	304 Stainless Steel
SHAFT SEAL - STANDARD	Carbon Ceramic/Silicon Carb.
ALTERNATIVE SEAL	n/a
ELASTOMERS - STANDARD	Buna (N)
HYDRAULIC OIL	214-320 s.s.u. @ 64 Deg. C
INPUT FLOW	38 l/m Maximum
OPERATING PRESSURE	206 bar Maximum