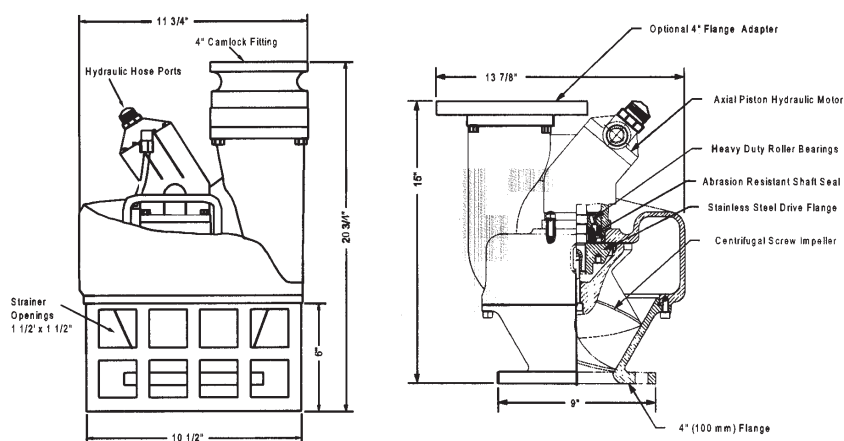


# DEWATERING HYDRAFLOW DATA SHEET

## S46CR 100MM HYDRAULIC SUBMERSIBLE SCREW PUMP

The SPP HYDRAFLOW S45CR Hydraulic Drive Submersible Screw Pump is ideal for pumping high viscosity liquids such as crude oils, latex, molasses and refinery wastes using a positive displacement screw. When pumping lighter materials, the impeller acts as a centrifugal type providing high capacity.

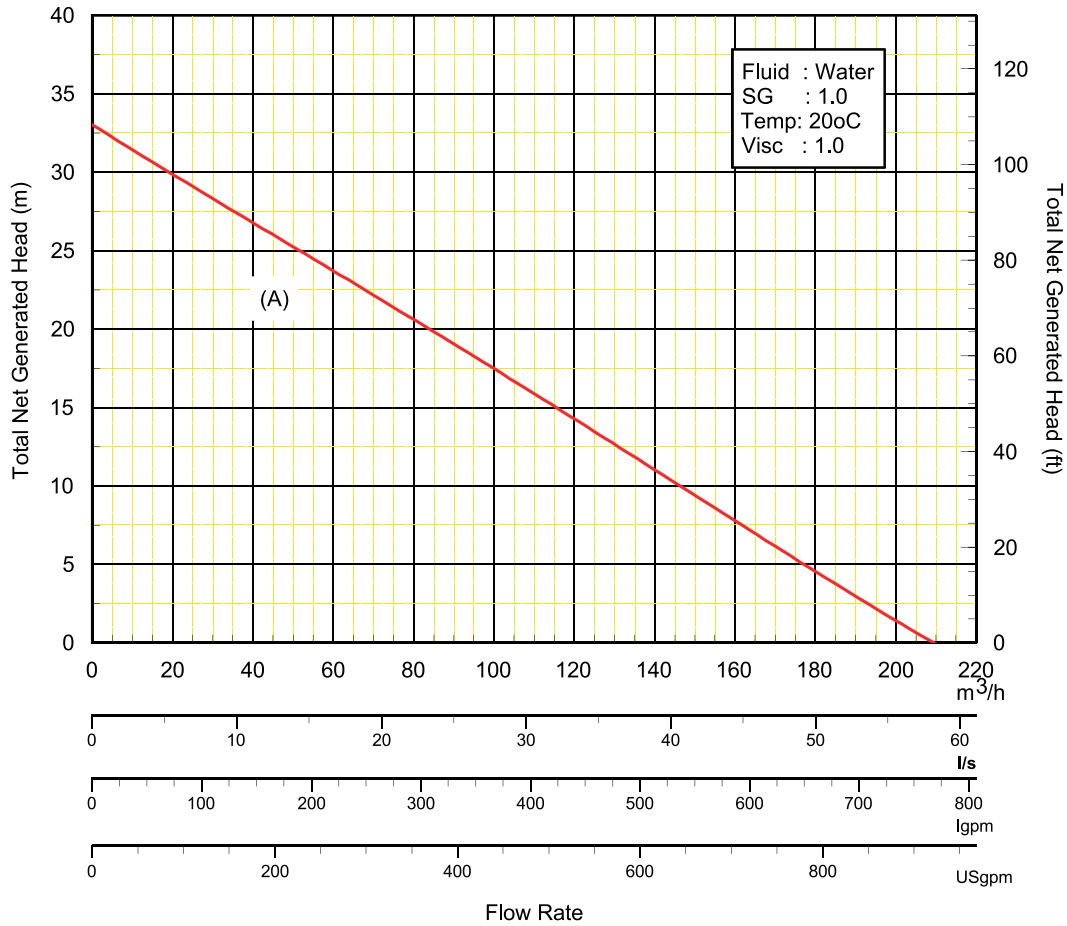


## DESIGN FEATURES

- Unique centrifugal screw impeller allows pumping of liquids with viscosities to 10000 CST.
- Small overall size.
- Variable Speed Hydraulic Drive with a wide range of performance.
- Will pass 50mm dia semi solids.
- Oil Lubricated Mechanical Seal - pump can run dry.
- Can be used as an in-line booster pump.
- Safe Hydraulic Drive can be used where electric power is hazardous or impractical.
- Operates with our HT11D, HT25D, HT35D or HSQ35D Hydraulic Power Units or any open centre power source with output flows to 30 l/m.

# DEWATERING

## HYDRAFLOW DATA SHEET



Hydraulic Input: (A) 41 l/m @ 179 bar  
\* Typical performance with HT25D or HSQ35

### HYDRAULIC SUBMERSIBLE PUMP

<b>PUMP TYPE</b>	S4SCR
<b>BRANCH SIZES</b>	Suction: 100mm x Disch: 100mm
<b>IMPELLER</b>	Screw
<b>SOLIDS HANDLING</b>	50 mm diameter
<b>HYDRAULIC MOTOR</b>	Gear
<b>INPUT - HYDRAULIC FLOW</b>	41 l/m (max)
<b>INPUT - HYDRAULIC PRESSURE</b>	179 bar (max)
<b>HYDRAULIC OIL</b>	ISO 46
<b>HYDRAULIC OIL TEMPERATURE</b>	Max 140°F

### PUMP SPECIFICATIONS

<b>FLOW RATE</b>	210 m <sup>3</sup> /h Maximum
<b>DISCHARGE HEAD</b>	33 m Maximum
<b>WEIGHT</b>	25 kg
<b>HEIGHT</b>	530 mm
<b>MAX DIAMETER</b>	300 mm
<b>MAX SOLIDS SIZE</b>	50 mm Diameter
<b>HOSE PORT</b>	3/4" NPT F
<b>SUCTION FLANGE</b>	4 1/2" Flange
<b>DISCHARGE PORT</b>	4" Quick Release Coupling
<b>POWER SOURCE</b>	HT25D, HT35D or HSQ35D
<b>PUMP CASING</b>	Seawater Resistant Aluminium
<b>IMPELLER</b>	Nodular Cast Iron
<b>WEAR RING &amp;/OR PLATE</b>	n/a
<b>SHAFT</b>	Stainless Steel
<b>SHAFT SEAL - STANDARD</b>	Silicon Carbide
<b>ALTERNATIVE SEAL</b>	Refer to SPP
<b>ELASTOMERS - STANDARD</b>	Buna (N)
<b>HYDRAULIC OIL</b>	214-320 s.s.u. @ 64 Deg. C
<b>INPUT FLOW</b>	60 l/m Maximum
<b>OPERATING PRESSURE</b>	250 bar Maximum