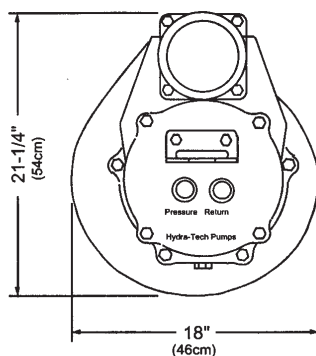
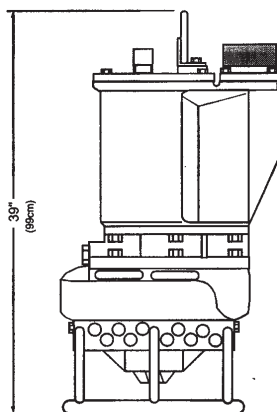


DEWATERING HYDRAFLOW DATA SHEET

S6CSL 150MM HYDRAULIC SUBMERSIBLE SAND OR SLURRY PUMP

The SPP HYDRAFLOW S6CSL Hydraulic Drive Submersible pump is designed for use in applications requiring settled solids to be put into suspension and pumped with the discharge water. Primary applications include desilting ponds, lakes and streams. Other jobs may include filling sand bags to prevent beach erosion, tank digester cleaning or pumping sediment from caissons.

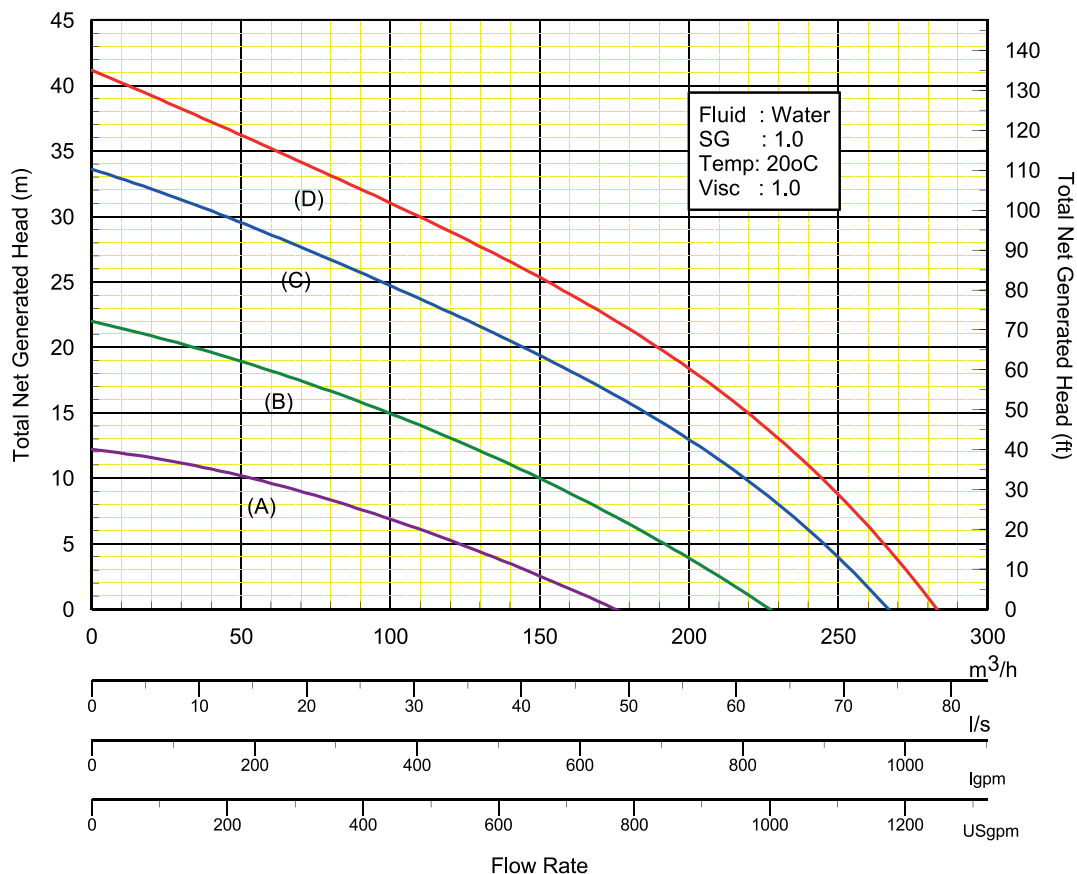


DESIGN FEATURES

- Hardened Alloy Wear Parts (600 Brinnell).
- Built-in Agitator for Stirring up Solids.
- Variable Speed Hydraulic Drive.
- Small Size Allows Pumps to fit through a 560mm opening.
- Oil Lubricated Double Seals - pump can run dry.
- Wide Range Performance Curve allows use of Hydraulic Flows up to 106 l/m to Suit Application.
- Safe Hydraulic Drive can be used where electric power is hazardous or impractical.
- Operates with our HT35D or HSQ35D Hydraulic Power Units or any open centre power source with output flows to 106 l/m.

DEWATERING

HYDRAFLOW DATA SHEET



Hydraulic Input: (A) 56 l/m @ 65 bar (B) 75 l/m @ 103 bar
(C) 94 l/m @ 148 bar (D) * 102 l/m @ 175 bar
* Typical Performance with HT60D

HYDRAULIC SUBMERSIBLE PUMP

PUMP TYPE	S6CSL
BRANCH SIZES	Suction: 150mm x Disch: 150mm
IMPELLER	Channel
SOLIDS HANDLING	38 mm diameter
HYDRAULIC MOTOR	Gear
INPUT - HYDRAULIC FLOW	106 l/m
INPUT - HYDRAULIC PRESSURE	193 bar (max)
HYDRAULIC OIL	ISO 46
HYDRAULIC OIL TEMPERATURE	Max 140°F

PUMP SPECIFICATIONS

FLOW RATE	282 m ³ /h Maximum
DISCHARGE HEAD	41 m Maximum
WEIGHT	224 kg
HEIGHT	990 mm
MAX DIAMETER	540 mm
MAX SOLIDS SIZE	38 mm Diameter
HOSE PORT	1" NPT F
SUCTION FLANGE	6" Entry
DISCHARGE PORT	6" NPT F
POWER SOURCE	HT35D or HSQ35D
PUMP CASING	Ductile Iron
IMPELLER	High Chrome Alloy
WEAR RING &/OR PLATE	High Chrome Alloy
SHAFT	304 Stainless Steel
SHAFT SEAL - STANDARD	Carbon Ceramic/Silicon Carb.
ALTERNATIVE SEAL	Refer to SPP
ELASTOMERS - STANDARD	Buna (N)
HYDRAULIC OIL	214-320 s.s.u. @ 64 Deg. C
INPUT FLOW	106 l/m Maximum
OPERATING PRESSURE	190 bar Maximum