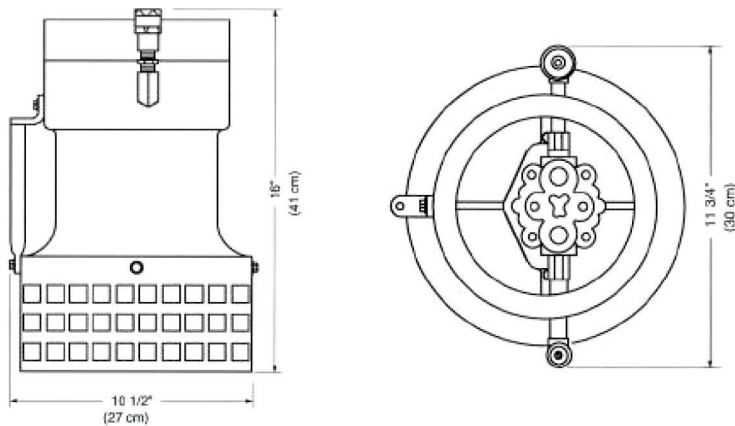


DEWATERING HYDRAFLOW DATA SHEET

S6P 50MM HYDRAULIC SUBMERSIBLE PUMP

The SPP HYDRAFLOW S6P Hydraulic Drive Submersible Pump is a lightweight axial flow pump designed for pumping high volumes of water at relatively low heads. The propeller design allows this pump to be driven by small hydraulic power sources such as small tractors, backhoes or our HT11D and HT25D power units. This pump is ideal for lake draining, tank filling, flood irrigation, aerial firefighting and cofferdam dewatering.

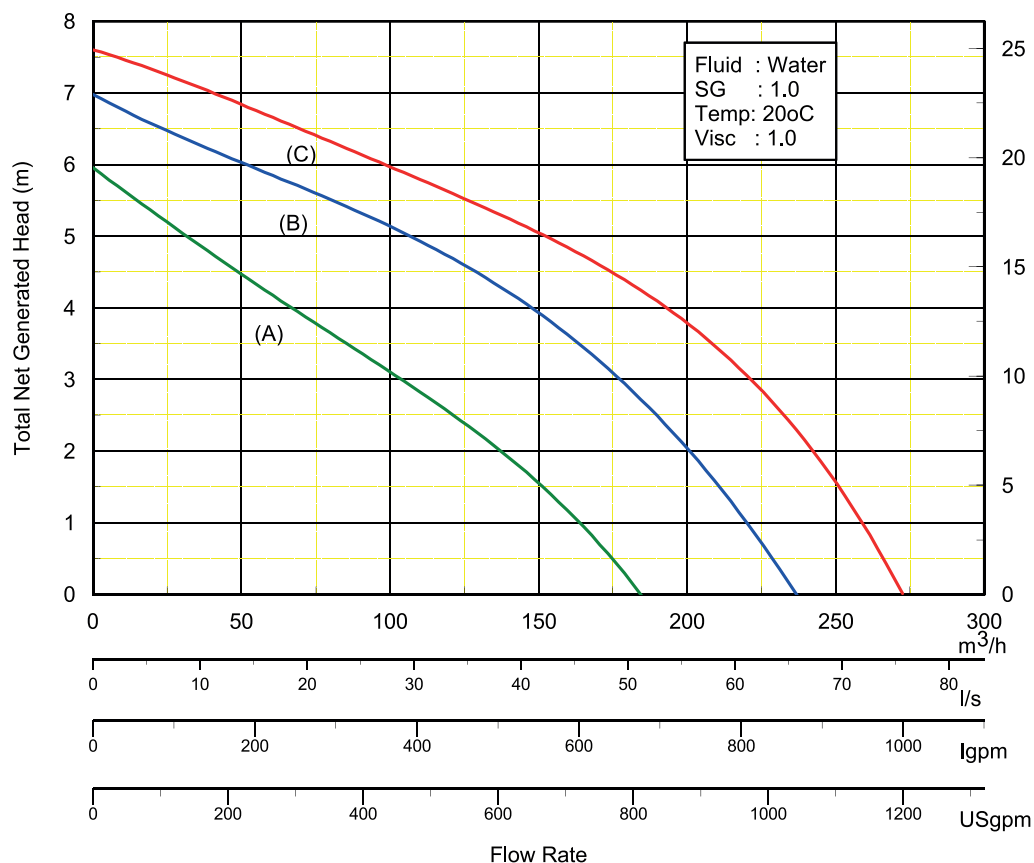


DESIGN FEATURES

- Very light weight allows one man installation.
- Small overall size allows use in very tight spaces.
- High volume axial propeller design.
- Variable Speed Hydraulic Drive by dependable gear type hydraulic motor.
- Oil Lubricated Mechanical Seal - pump can run dry.
- Safe Hydraulic Drive can be used where electric power is hazardous or impractical.
- Operates with our HT11D or HT25D Hydraulic Power Units or any open centre power source with output flows to 25 l/m.

DEWATERING

HYDRAFLOW DATA SHEET



Hydraulic Input: (A) 13 l/m @ 145 bar (B) * 22 l/m @ 145 bar
(C) ** 25 l/m @ 193 bar
* Typical performance with HT11D
** Typical performance with HT25D

HYDRAULIC SUBMERSIBLE PUMP

| | |
|-----------------------------------|-------------------------------|
| PUMP TYPE | S6P |
| BRANCH SIZES | Suction: 270mm x Disch: 150mm |
| IMPELLER | Axial Flow |
| SOLIDS HANDLING | 20 mm diameter |
| HYDRAULIC MOTOR | Gear |
| INPUT - HYDRAULIC FLOW | 25 l/m |
| INPUT - HYDRAULIC PRESSURE | 193 bar |
| HYDRAULIC OIL | ISO 46 |
| HYDRAULIC OIL TEMPERATURE | Max 140°F |

PUMP SPECIFICATIONS

| | |
|---------------------------------|----------------------------|
| FLOW RATE | 270 m³/h Maximum |
| DISCHARGE HEAD | 7.6 m Maximum |
| WEIGHT | 19 kg |
| HEIGHT | 410 mm |
| MAX DIAMETER | 300 mm |
| MAX SOLIDS SIZE | 20 mm Diameter |
| HOSE PORT | 1/2" NPT F |
| SUCTION FLANGE | n/a |
| DISCHARGE PORT | 6" NPT F |
| POWER SOURCE | HT11D or HT25D |
| PUMP CASING | Heat Treated Aluminium |
| IMPELLER | Ductile Iron |
| WEAR RING &/OR PLATE | Ductile Iron |
| SHAFT | Plated Steel |
| SHAFT SEAL - STANDARD | Carbon Ceramic |
| ALTERNATIVE SEAL | Refer to SPP |
| ELASTOMERS - STANDARD | Buna (N) |
| HYDRAULIC OIL | 214-320 s.s.u. @ 64 Deg. C |
| INPUT FLOW | 25 l/m Maximum |
| OPERATING PRESSURE | 170 bar Maximum |